

WALL MOUNTED HAND OPERATED EYE WASH

EE120

Camel's eye washes flush hazardous contaminants & irritants from eyes.

They are independently tested to comply with ANSI Z 358.1-2004. The stainless steel construction

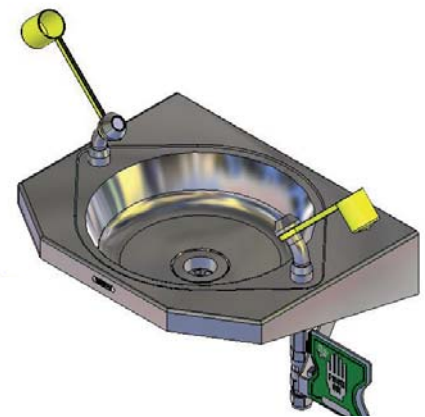
provides superior durability and reliability. Stainless steel is 304 Grade.

Features

- 2 aerated outlets with dust covers
- Stainless steel bowl
- Stainless steel stay open ball valve
- Stainless steel hand actuator
- Integral volume control

Available options:

- Audio visual alarms for alerts
- Flow switch to activate alarms & lights
- Proximity switches an alternative to flow switches
- Thermal relief valve removes built-up hot water in pipes
- Insulation of Pipework to moderate water temperature build up
- Anti-freeze valve for cold weather applications prevents water freeze
- Heat tracing cold weather applications
- Pressure relief valve
- NPT Flange connectors
- Custom manufacturing & design
- Signage as required by ANSI standard



PRODUCT CODES

EE120 - Standard Brushed Stainless Steel Finish

EE120E - Epoxy coated Choose Colour ■ Green ■ Orange ■ Yellow ■ White

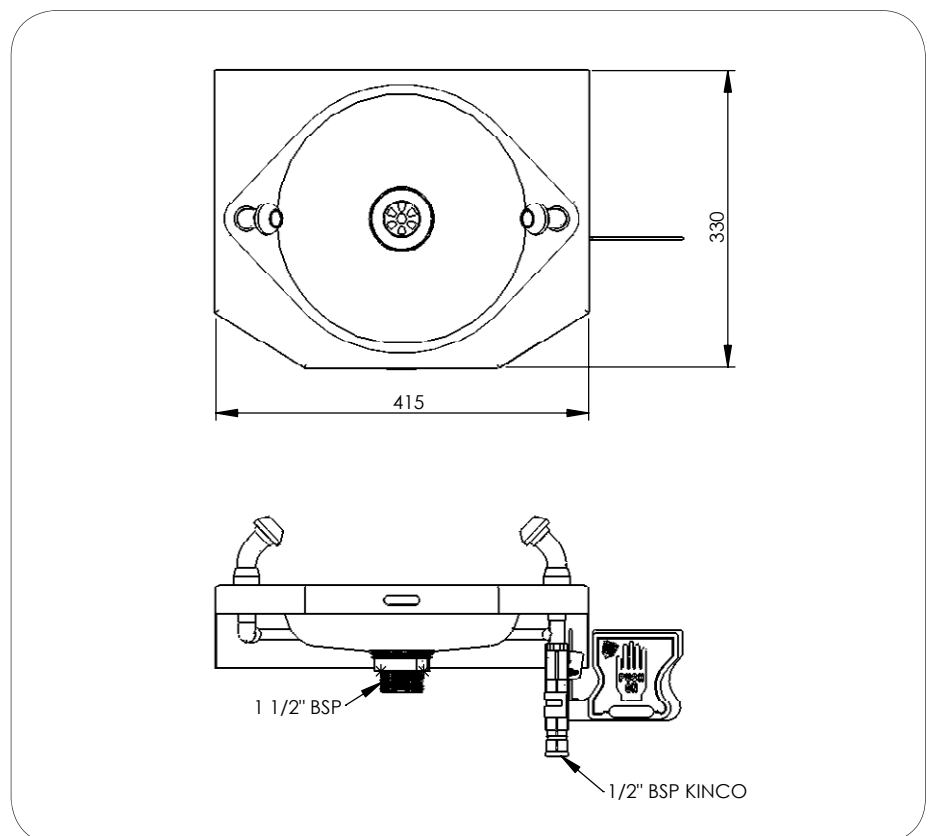
TECHNICAL INFORMATION

Inlet Connection	15 mm (1/2") BSP
Minimum Water Supply Line Size	DN15 mm (1/2") Nominal Size
Eye/Face Wash Outlet Size	15mm supplied standard; 10mm available (recommended for low pressure applications)
Minimum Requirements to achieve ANSI Z358.1-2004 compliance	Min Working Pressure: 210 kPa Caution should be taken when pressure exceeds 550 kPa (80 psi) Min Flow Requirements: 12 lpm (3.1 US gpm)
Minimum performance values for for low pressure installations* or applications not requiring ANSI Z358.1-2004	Min Working Pressure 15mm (1/2") Outlets: 40 kPa (5.7 psi) [For low pressure applications 10mm (3/8") outlets are available or an eye wash only should be considered.] Min Working Pressure 10mm (3/8") Outlets: 75 kPa (10.9psi)
Waste Water Outlet Size	40mm waste
Mounting Base Plate	Size 150 x 150 mm (5 7/8" x 5 7/8") with 4 Bolt Holes 11mm (7/16")
Shipping	5 kg (11 lb) Dimensions: 46 x 36 x 31mm



*Product performance to ANSI Z358.1-2004 can not be guaranteed in low pressure circumstances. Please consult with your local authority. Contact Camel for assistance with ANSI Z358.1-2004 compliance in low pressure applications.

As Camel's product development is ongoing, product specifications may vary over time.



t +44 (0)845 0750479

f +44 (0)1590 675973

e sales@camel-safety.com

w www.camel-safety.com

Camel Safety Equipment
137/138 High Street, Lymington,
Hampshire SO41 9AQ United Kingdom

Camel is the trading name of Aadver Safety Equipment Ltd